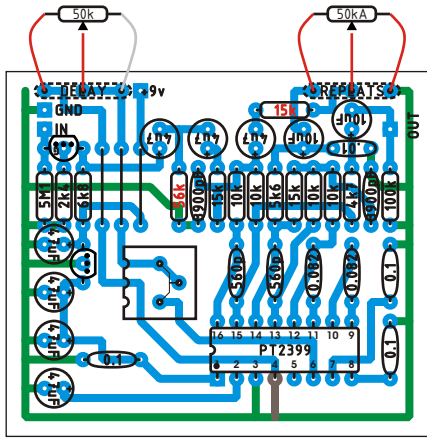


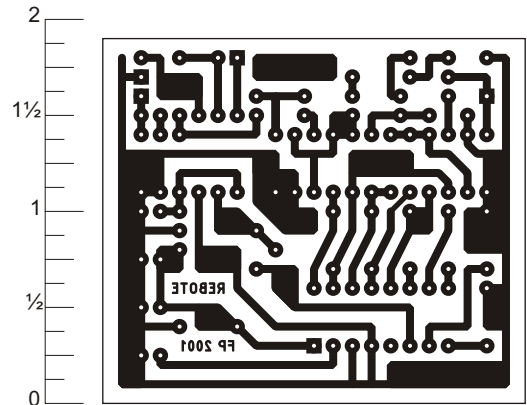
REBOTE DELAY

Rev.1.May.5.2002

Build the Princeton tech digital delay, from the application sheet adapted for stompbox use which includes a 5v positive voltage regulator and a FET input booster. Off board components except for the potentiometers are not shown on the layout. Trademarks are property of their owners.



LAYOUT



READY TO TRANSFER

Parts List

Resistors

- 1 - 5M1
- 2 - 100k
- 1 - 18k
- 2 - 15k
- 4 - 10k
- 1 - 6k8
- 1 - 5k6
- 1 - 4k7
- 1 - 2k4

Capacitors

- 1 - 100 μ F
- 2 - 47 μ F
- 2 - 10 μ F
- 2 - 4.7 μ F
- 3 - 0.1 μ F
- 2 - 0.082 μ F
- 1 - 3900pF
- 1 - 3300pF
- 2 - 560pF

IC's

- IC1 - PT2399
- IC2 - 5v Reg

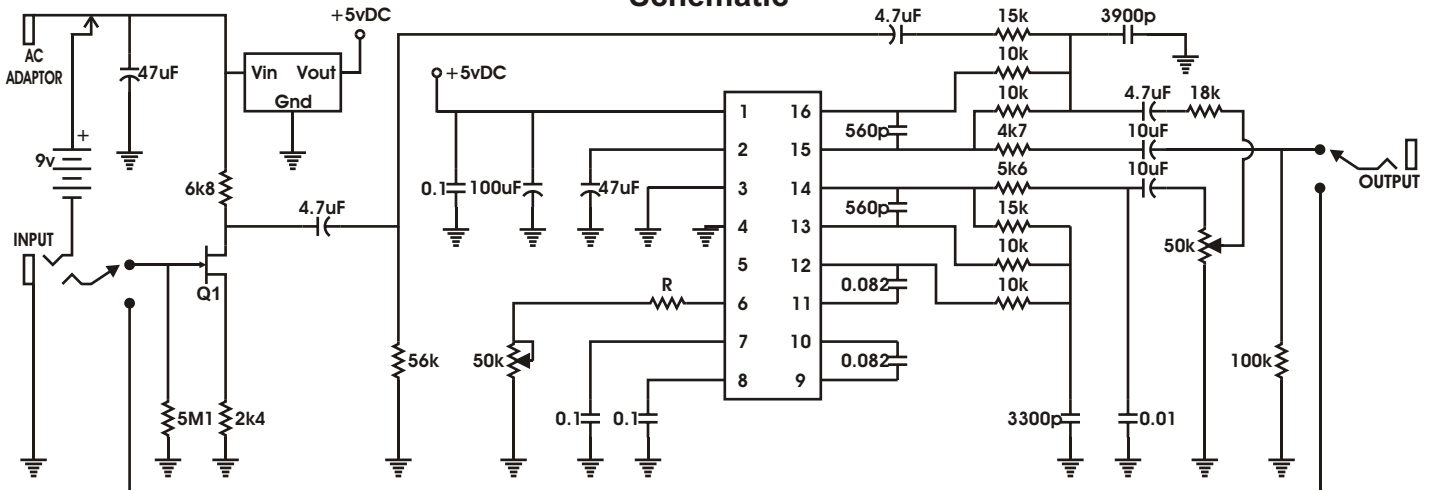
Transistors

- Q1 - 2N5457

Pots

- 1 - 50k lin.
- 1 - 50k log.

Schematic



Layout and presentation by Francisco Peña 2001 2002©.
 All rights reserved. Authorization for personal use only.
 any commercial use is forbidden.
 Permission for posting/serving limited to
<http://www.tonepad.com>
 Permission refused for posting from other sites.