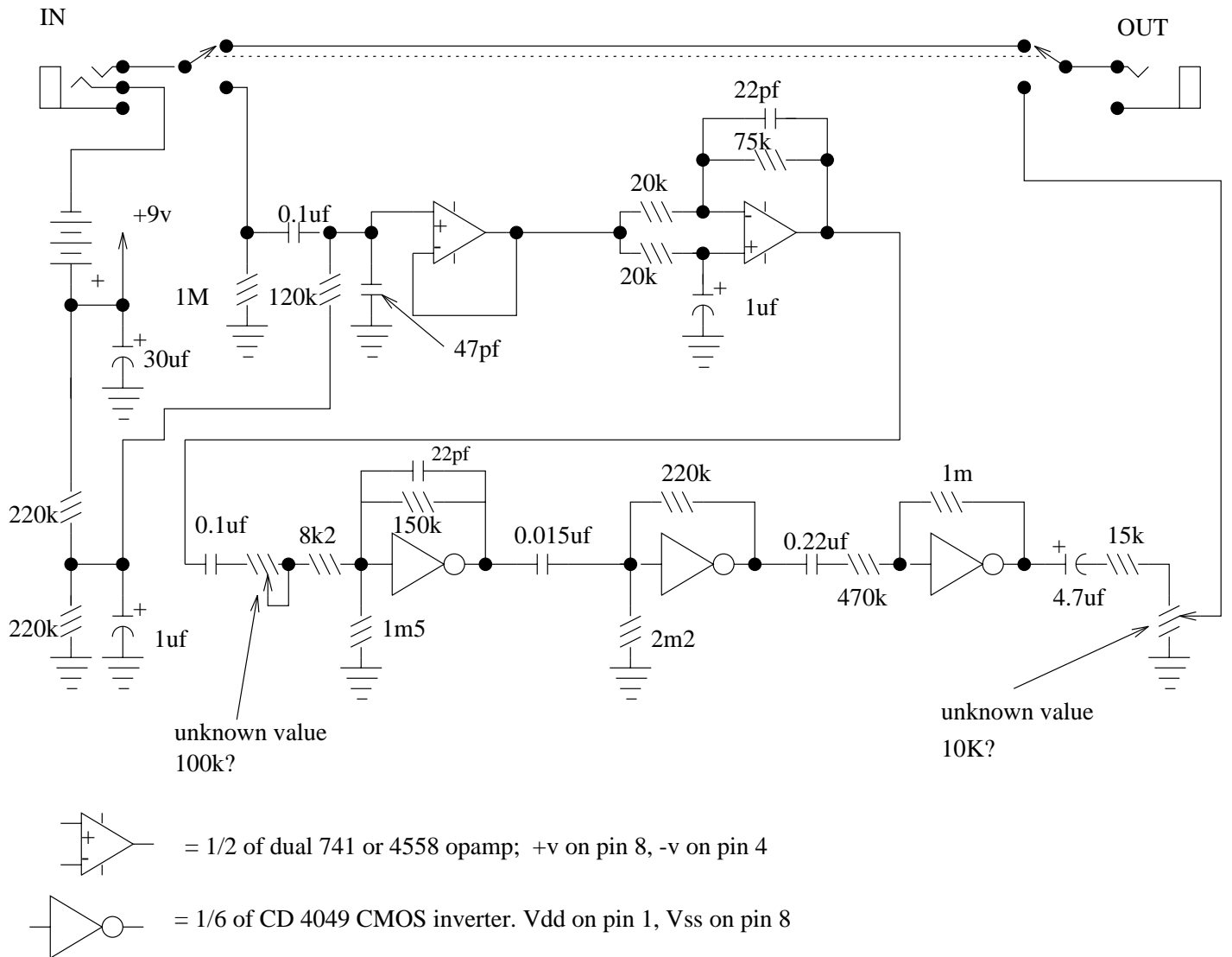


MXR Hot Tubes Distortion



The MXR Hot Tubes is a commercial cousin of Craig Anderton's "Tube Sound Fuzz". It differs in that it uses a dual opamp input buffer, more stages, and more filtering. Also, there appears to be a DC offset in the bias points of two of the inverter/distortion stages.